

## Hoist traverse beams with 2 adjustable hooks.



### Properties

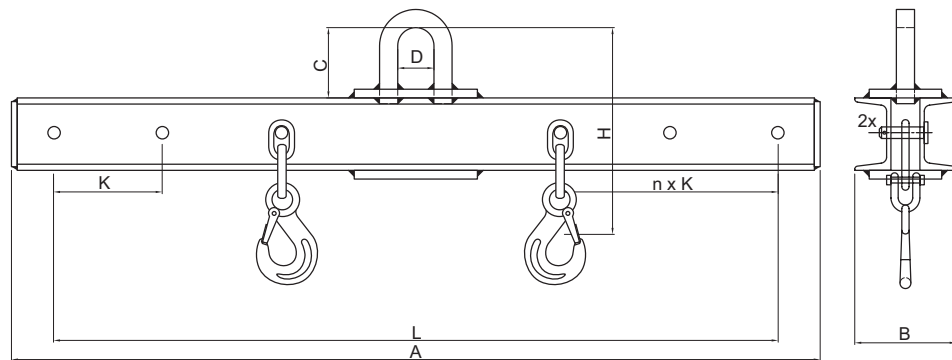
- Surface finish: zinc phosphate primer RAL 2004 (orange).
- Capacity range labelling.
- Black-and-yellow safety markings at beam ends.
- Hooks equipped with safety latches.
- High quality steel hooks grade 10.

### Option

- Sandblasting and painting in every RAL color.
- Higher load capacity and bigger dimensions on request.

### Norm:

- EN12100-1/2, EN13155, EN1677, PAS1065



Type	WLL (kg)	B2 (mm)	C (mm)	D (mm)	H (mm)	L (mm)	n x k (mm)	Weight (kg)	ProductId
TRA-VE-1000-1M	1000	140	85	55	380	1000	2 x 150	30	3962041
TRA-VE-1000-1,6M	1000	140	85	55	400	1600	3 x 150	40	3962043
TRA-VE-1000-2,5M	1000	160	85	55	420	2500	5 x 150	67	3962045
TRA-VE-1000-3,15M	1000	170	85	55	420	3150	7 x 150	100	3962047
TRA-VE-1600-1,6M	1600	150	85	55	480	1600	2 x 200	48	3962049
TRA-VE-1600-2,5M	1600	170	85	55	500	2500	4 x 200	83	3962051
TRA-VE-1600-3,15M	1600	190	85	55	520	3150	5 x 200	120	3962053
TRA-VE-1600-4M	1600	200	85	55	520	4000	7 x 200	171	3962055
TRA-VE-2500-2,5M	2500	180	85	70	540	2500	4 x 200	115	3962057
TRA-VE-2500-3,15M	2500	200	85	70	560	3150	5 x 200	140	3962059
TRA-VE-2500-4M	2500	220	85	70	580	4000	7 x 200	202	3962061
TRA-VE-2500-5M	2500	240	85	70	600	5000	8 x 200	284	3962063